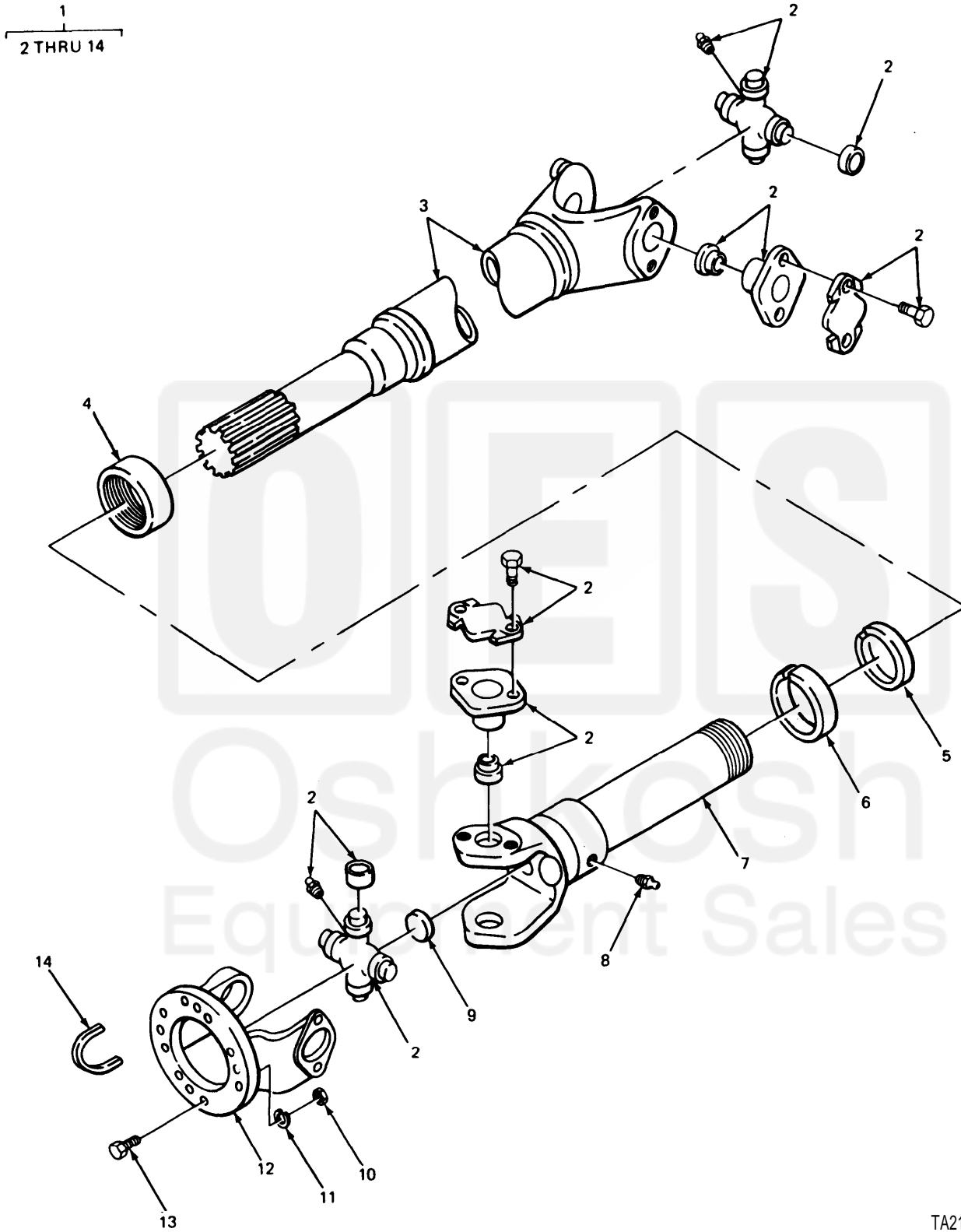


SECTION II

Diagram 2320-270-20



TA212283

FIGURE 69. PROPELLER SHAFTS AND RELATED PARTS.